

**\*\*\*DRAFT - NOT FOR FILING\*\*\***

**4781-6-03.7 Electrical systems and equipment.**

(A) Electrical crossovers.

Multi-section homes with electrical wiring in more than one section require crossover connections to join all sections of the home. The crossover shall be completed in accordance with the directions provided in the installation instructions.

(B) Miscellaneous lights and fixtures.

(1) When the home is installed, exterior lighting fixtures, ceiling-suspended (paddle) fans, and chain-hung lighting fixtures shall be permitted to be installed in accordance with their listings, [the MHCSS](#), and these standards.

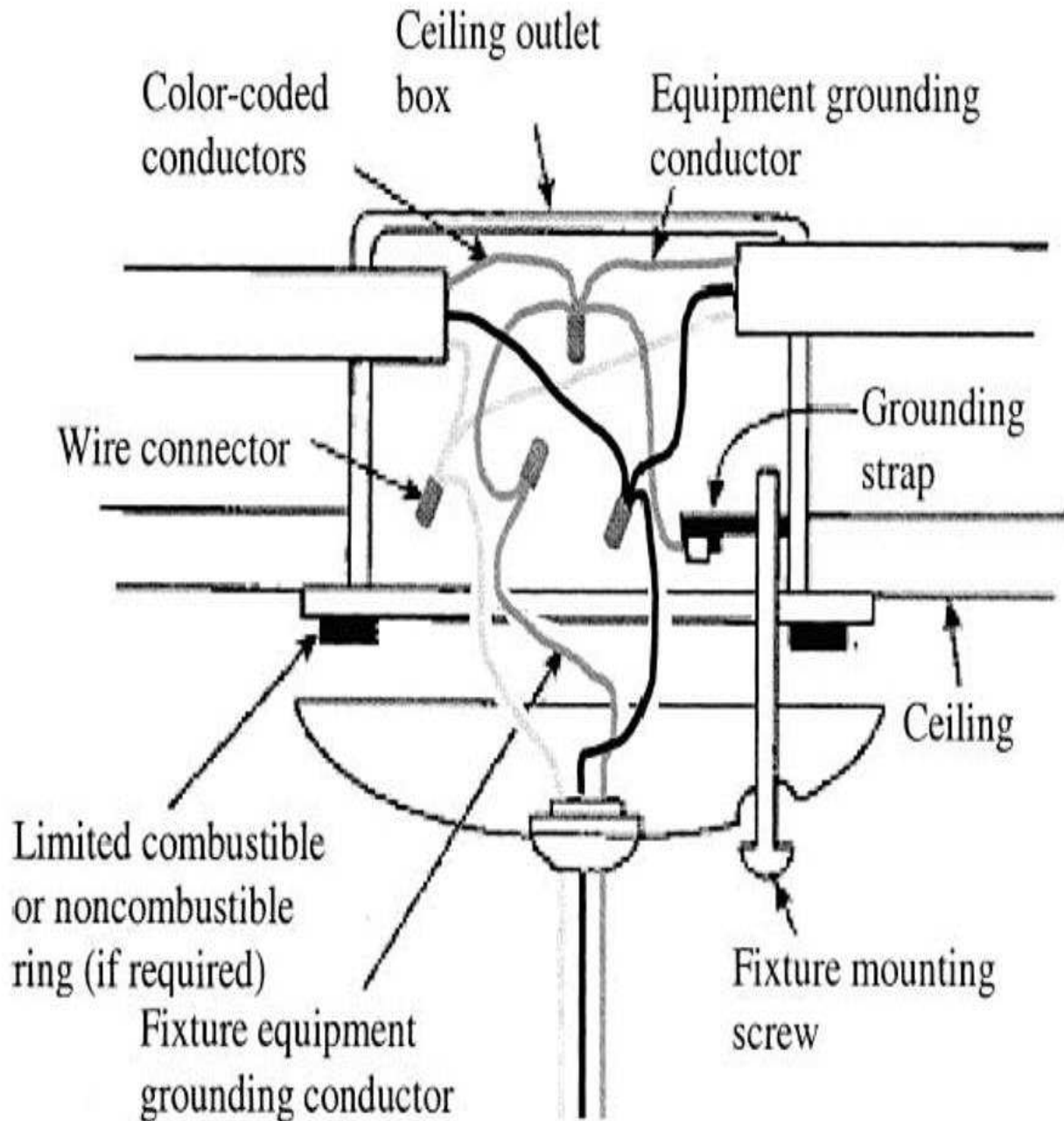
(2) Grounding.

(a) All the exterior lighting fixtures and ceiling fans installed per [the MHCSS](#) and these standards shall be grounded by a fixture-grounding device or by a fixture-grounding wire.

(b) For chain-hung lighting fixtures, as shown in figure 7A of this rule, both a fixture-grounding device and a fixture-grounding wire shall be used. The identified conductor shall be the neutral conductor.

**\*\*\*DRAFT - NOT FOR FILING\*\*\***

**Figure 7A - Typical Installation of Chain-Hung Lighting Fixture**

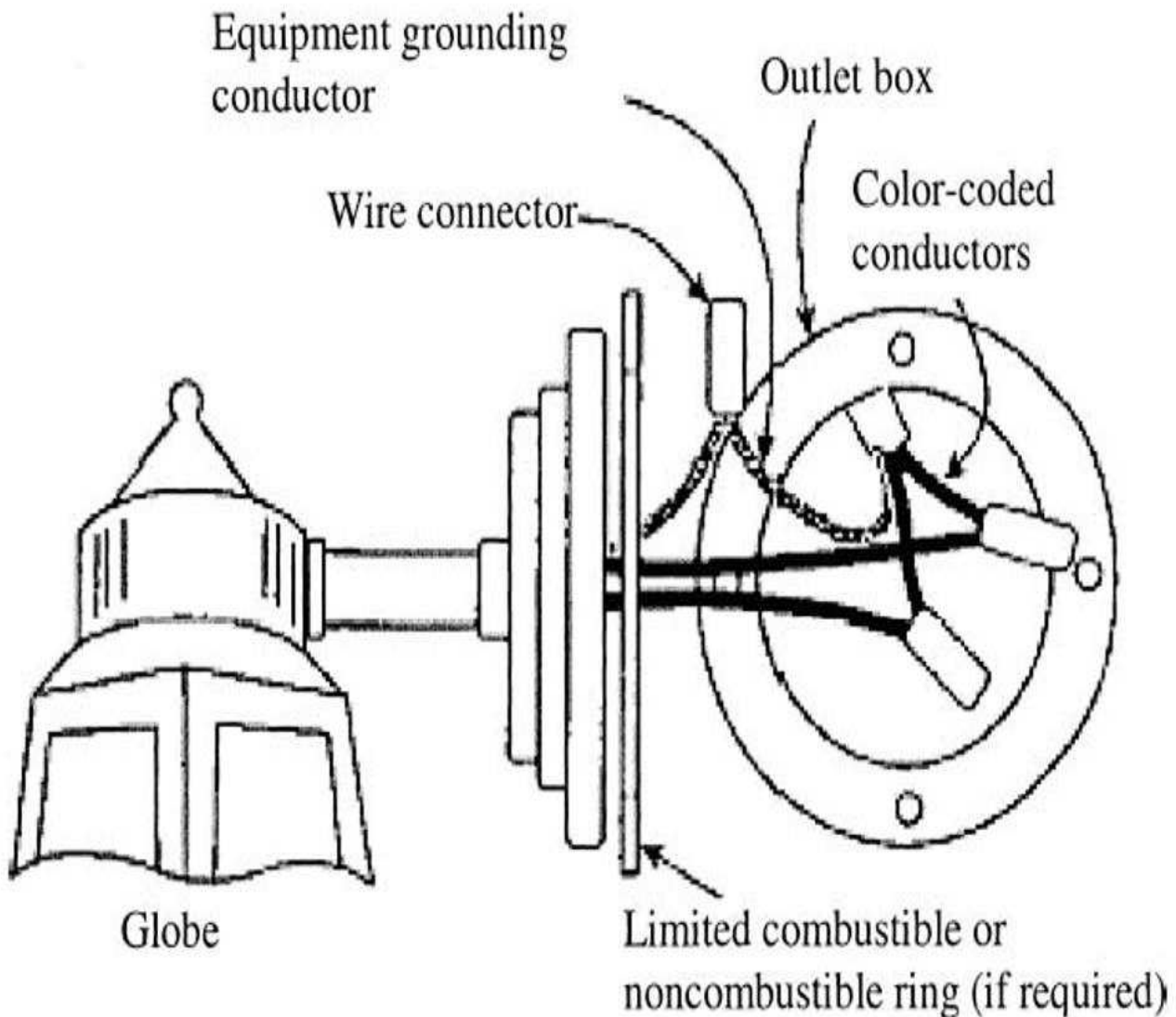


- (3) Where lighting fixtures are mounted on combustible surfaces such as hardboard, a limited combustible or noncombustible ring, as shown in figures 7A and 7B of this rule, shall be installed to completely cover

**\*\*\*DRAFT - NOT FOR FILING\*\*\***

the combustible surface exposed between the fixture canopy and the wiring outlet box.

**Figure 7B - Typical Installation of Surface-Mounted Exterior Lighting Fixture**



(4) Exterior Lights.

- (a) The junction box covers shall be removed, and wire-to-wire connections shall be made using listed wire connectors.
- (b) Wires shall be connected in compliance with the national [electrical code](#) (NEC)-2008.

**\*\*\*DRAFT - NOT FOR FILING\*\*\***

- (c) The wires shall be pushed into the box, and the lighting fixture shall be secured to the junction box.
- (d) The lighting fixture shall be caulked around its base to ensure a watertight seal to the sidewall.
- (e) The light bulb shall be installed, and the globe shall be attached.

(5) Ceiling fans.

- (a) Ceiling-suspended (paddle) fans shall be connected to a junction box listed for ceiling fan application and installed with the trailing edges of the blades at least six feet four inches above the finished floor.
- (b) The wiring shall be connected in accordance with the product manufacturer's installation instructions.

(6) Testing.

- (a) After completion of all electrical wiring and connections, including crossovers, electrical lights, and ceiling fans, the electrical system shall be inspected and tested. Testing shall be done in accordance with the manufacturer's installation instructions. Where no manufacturer's installation manual test procedure is available, the test shall be performed in accordance with testing procedures provided on forms approved by the ~~commission~~[division](#).
- (b) Each manufactured home shall be subjected to the following tests:
  - (i) An electrical continuity test to ensure that metallic parts are effectively bonded;
  - (ii) Operational tests of all devices and utilization equipment, except water heaters, electric ranges, electric furnaces, dishwashers, clothes washers/dryers, and portable appliances, to demonstrate that they are connected and in working order; and
  - (iii) For electrical equipment installed or completed during installation, electrical polarity checks shall be completed to determine that connections have been made properly. Visual verification is an acceptable electrical polarity check.

(C) Smoke alarms.

Smoke alarms shall be functionally tested in accordance with applicable requirements of the smoke alarm manufacturer's instructions and shall be consistent with this rule. Where no manufacturer's installation manual or alarm manufacturer's test procedure is available, the test shall be performed in accordance with testing procedures provided on forms approved by the ~~commission~~[division](#). All homes shall be required to have operational smoke detectors per NFPA recommendations.

(D) Telephone and cable television.

Refer to rule ~~4781-6-02.9~~[4781-6-03.9](#) of the Administrative Code for considerations pertinent to installation of telephone and cable television.

(E) Except where otherwise specified in these standards, electrical supply, electrical systems, and equipment installed on site for manufactured homes in a manufactured home park and a single site (private property)

**\*\*\*DRAFT - NOT FOR FILING\*\*\***

shall comply with the national electric code (NEC)-~~2008~~, Article 550.

- (F) On-site wiring methods not included in the manufacturer's installation instructions shall comply with the requirements of the ~~national electric code (NEC) 2008~~NEC and shall be inspected by a state-certified electrical safety inspector (ESI) of record certified by the board of building standards or a licensed electrical contractor whose name is on the license issued under Chapter 4740. of the Revised Code.
- (G) Electrical service, connectors, and feeders shall be inspected by ~~a state-certified electrical safety inspector (ESI)~~an ESI of record certified by the board of building standards whose name is on the license issued under Chapter 3783. of the Revised Code.